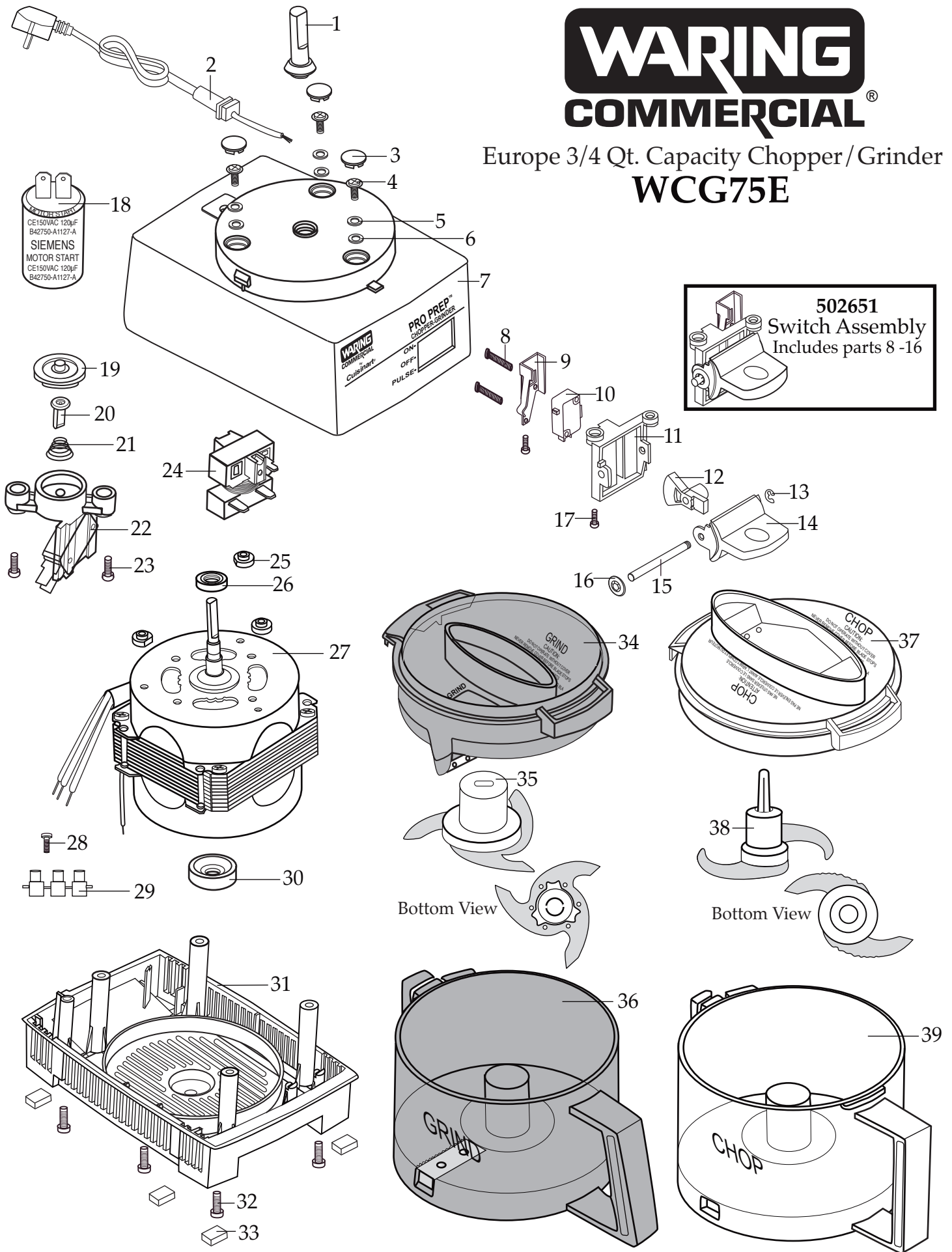


WARING COMMERCIAL®

Europe 3/4 Qt. Capacity Chopper/Grinder WCG75E



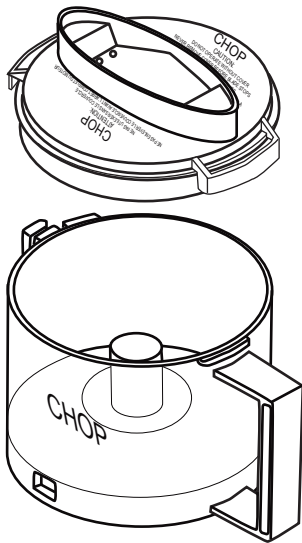
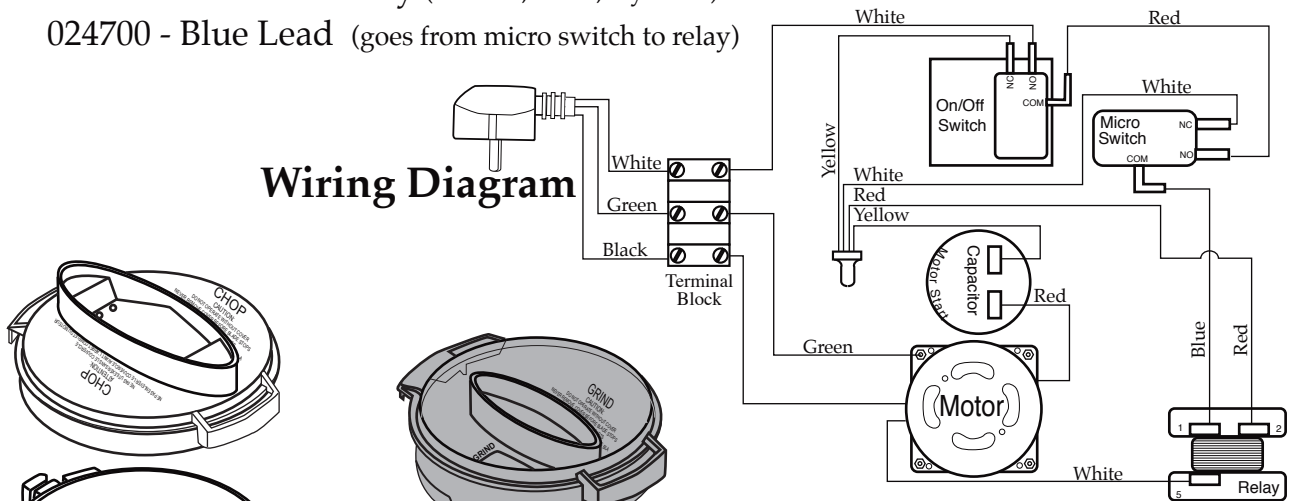
| Illustration # | Part # | Description |
|-----------------------|---------------|---------------------------------|
| 1 | 024344 | Motor Shaft Sheath |
| 2 | 502850 | Cord Assembly |
| 3 | 024345 | Motor Screw Cover (3 required) |
| 4 | 024346 | Motor Screw (3 required) |
| 5 | 024347 | Motor Washer (3 required) |
| 6 | 024348 | Motor Fiber Washer (3 required) |
| 7 | 024349 | Housing |
| 8 | 024350 | Screw (2 required) |
| 9 | 024351 | Switch Bracket |
| 10 | 024352 | Main Switch |
| 11 | 024353 | Switch Plate |
| 12 | 024354 | Switch Actuator |
| 13 | 024355 | E-Ring |
| 14 | 024356 | Switch Button |
| 15 | 024357 | Switch Shaft |
| 16 | 024358 | Push Nut Washer |
| 17 | 024359 | Screw (2 required) |
| 18 | 026672 | Capacitor |
| 19 | 024702 | Button Pad |
| 20 | 024703 | Actuating Lever |
| 21 | 024704 | Spring |
| 22 | 502650 | Micro Switch Assembly |
| 23 | 024705 | Screw (2 required) |
| 24 | 026673 | Relay |
| 25 | 024360 | Motor Screw Plug (3 required) |
| 26 | 024361 | Oil Seal |
| 27 | 026674 | 230 Volt Motor |
| 28 | 026675 | Screw |
| 29 | 026676 | Terminal Block |
| 30 | 024363 | Lower Motor Pad |

| Illustration # | Part # | Description |
|----------------|--------|--------------------------|
| 31 | 024364 | Base Cover |
| 32 | 024365 | Screw (4 required) |
| 33 | 024366 | Rubber Foot (4 required) |
| 34 | 502552 | Grinding Lid Assembly |
| 35 | 503500 | Grinding Blade Assembly |
| 36 | 502554 | Grinding Bowl Assembly |
| 37 | 502555 | Chopping Lid Assembly |
| 38 | 503499 | Chopping Blade Assembly |
| 39 | 502557 | Chopping Bowl Assembly |

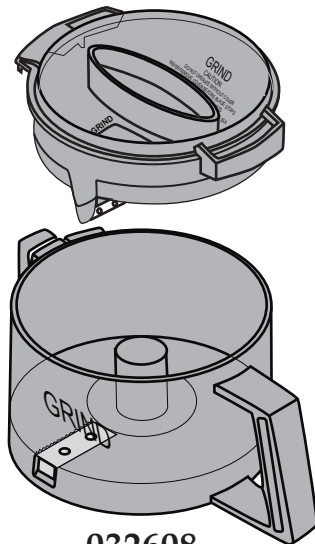
Parts Not Shown

502649 - Lead Assembly (2-white, 2-red, 2 yellow)
 024700 - Blue Lead (goes from micro switch to relay)

Wiring Diagram

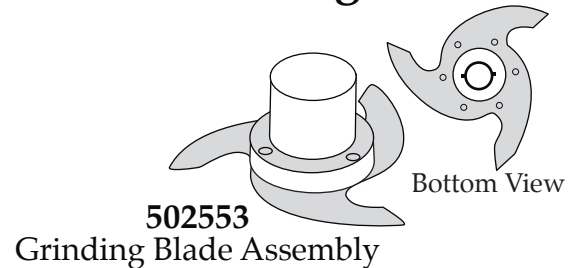


032607
 Chopping Bowl and Bowl Cover
 (WCG505TX)

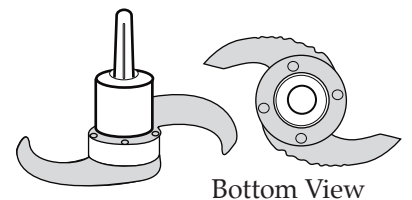


032608
 Grinding Bowl and Bowl Cover
 (WCG506TX)

Parts No Longer Used



502553
 Grinding Blade Assembly



502556
 Chopping Blade Assembly